

## Vertical Vacuum Mixer Phoenix VMP

The **Vertical Vacuum Mixer Phoenix VMP** is designed for the **efficient mixing of low up to high viscous sealants and adhesives** as PUR, coating compounds, plastisols, silicones, paints, varnishes and resins. The flexible mixer is **suited for reactive and moisture sensitive products**.



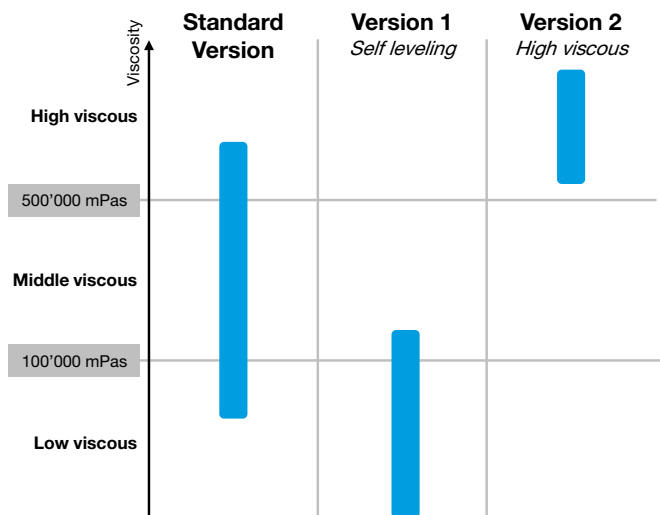
### Characteristics

- **Vacuum tight mixing room**
- Mixing tool can be extracted from product under vacuum
- **Optimized mixing effect** also with variable batch sizes
- Oscillation stroke can be adjusted to the filling level
- Mixing tools are designed to achieve a **short mixing cycle**
- Precise temperature control during the mixing process
- Gentle mixing with low energy
- **Easy cleaning** due to flat surfaces
- Mixing cover and tool may be lift up to a service position for maintenance and cleaning works
- Catalyst adding can be done directly during the mixing process
- Changing pot system customizable to existing vessels

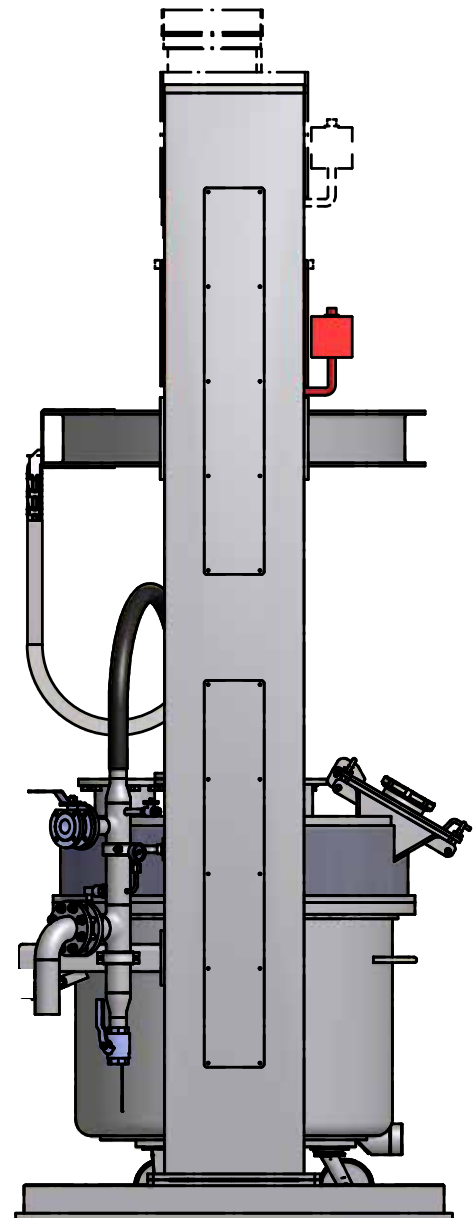
# Vertical Vacuum Mixer Phoenix VMP

## Design

- Large useful area on the mixing cover to place the product connections
- The beam mixing tool is equipped with dispersing teeth and paddles to optimize the material feeding
- Compact water-cooled high performance electric gear motor as main drive
- Placement for a floor level access of pots
- Wall scrapers guarantee an efficient heat exchange between product and vessel
- Optimal distribution of forces due to the central position of the main drive above the mixing tool
- Revolution speed, height of stroke und stroke speed of the mixing tool are infinitely adjustable



The **Vertical Vacuum Mixer Phoenix VMP** can be flexibly adjusted to customers requirements with various drives or a customized mixing tool.

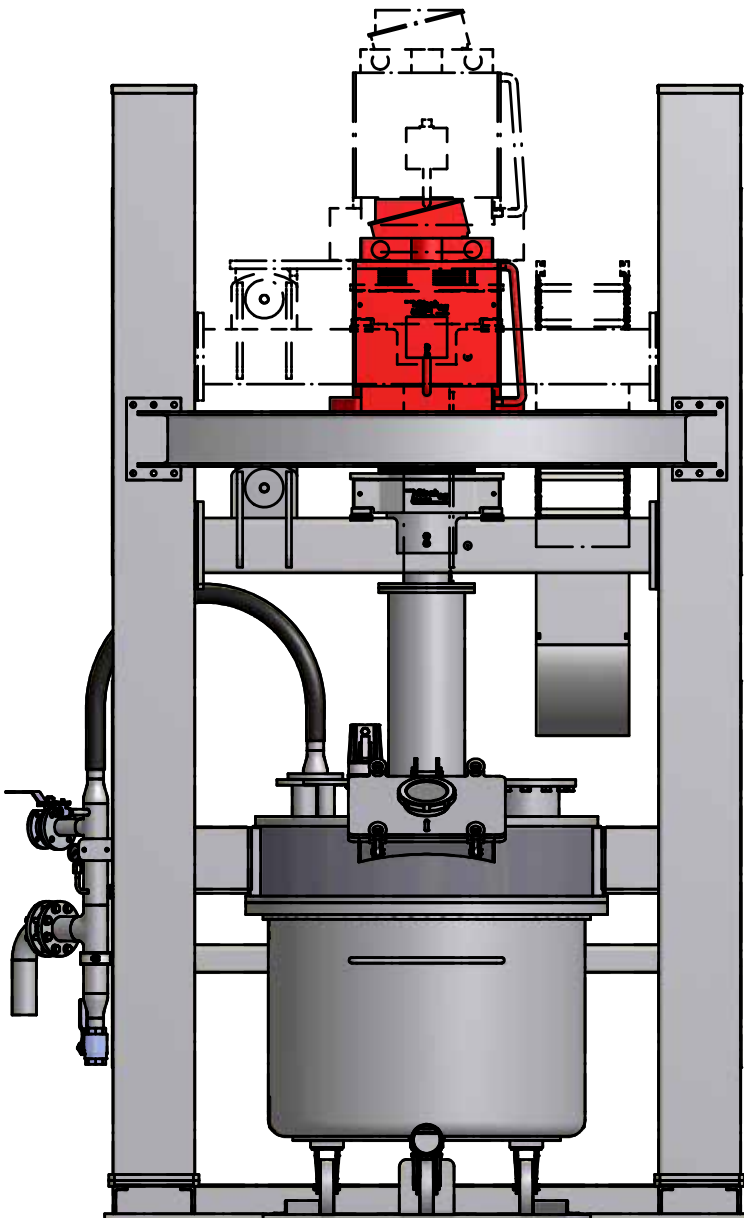


Side view

# Vertical Vacuum Mixer Phoenix VMP

## Options

- Vacuum system with dry filter
- Integration in a superordinated control system with data trend registration and recipe management
- Mixing tool product specific customizable
- Customer specific positioning of the product connections and flanges
- PLC with a graphic control panel
- Platform for easy handling and maintenance



Front view



Mixer cover with connection flanges



Compact electric gear motor



Hydraulic lifting system

# Vertical Vacuum Mixer Phoenix VMP

## Technical Data

### Material

- Stainless steel, mild steel

### Motor

- Torque\* max. 5'900 Nm
- Drive power\* 90 kW

\* depends on the product

### Vessel

- Operational volume 700 – 1'200 l
- Max. pressure -950 to +50 mbar

### Mixing tool

- Stroke speed 10 - 50 mm/s
- Revolution speed 20 - 200 rpm

## Compatible Systems

The **Vertical Vacuum Mixer Phoenix VMP** may be extended with additional components for a further automation of the mixing process and to ensure an efficient production up to the filling.

- Prepolymer Production Plant
- Vacuum Mixing Dryer VT and Cooler VK
- Discharge Unit AS
- Drum and Pail Filling Unit FHA

Furthermore **fitech ag** provides engineering, planning and manufacturing of complete production plants.

